

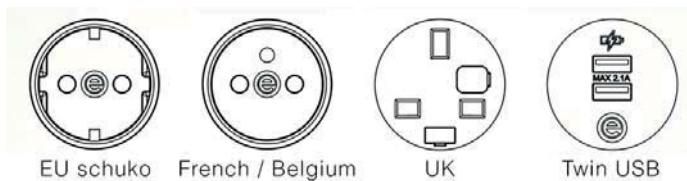
SPECIFICATIONS

Pluto | Night stand / Desktop Power with USB charging

Pluto provides stylish desktop power in a way that no other module has done before. Ideal for the guest room the Pluto is available with a selection of power sockets and twin USB for charging phones and tablets. With three outlet positions, guests have easy access to two power sockets and high current USB sockets allowing a choice of charging options for all of your guests electronic devices.



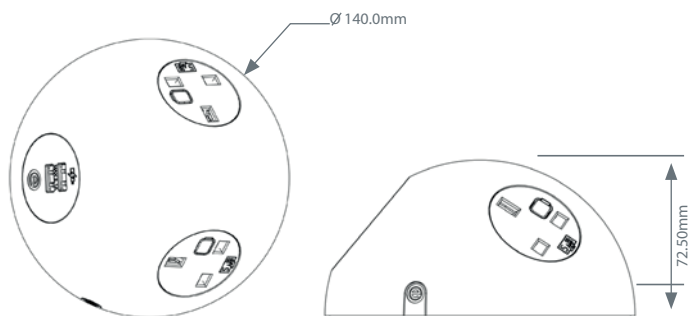
- Provides guests with four easy-to-find charging outlets
- 2 x choice of european power sockets, or a mix of country sockets
UK / UK, Schuko / Schuko, French / French, UK / Schuko, UK / French



- High-current/fast-charging USB port supports wide range of portable devices including smartphones and tablets that require higher USB charging current
- Durable and stylish dome design
- Simple to install with On-desk or In-desk options
- Can be secured to the desktop using the mounting adapter ring
- Standard finishes are White body / Grey modules and Black body / Black modules
- Bespoke colours, finish or branding is available subject to MOQ

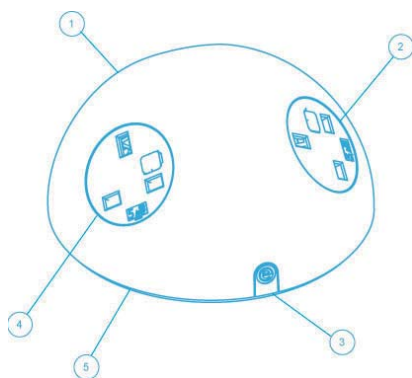
SPECIFICATIONS

Pluto | Night stand / Desktop Power with USB charging



Technical

- **Fusing:**
(to enable compliance to BS6396) 5 x 20mm anti-surge ceramic fuses, with colour-coded fuseclips to denote the rating (3.15A/5A)
- **Earth Bonding:**
Discreet 'easy-connect' earth terminal in base of unit as standard via female push-on
- **Insulation:**
Reinforced insulation
- **Testing:**
100% testing - continuity, polarity, insulation & earth
- **Soft Wiring power:**
Power hardwired to Wieland ST/GST connector allows starter cables to be changed to suit requirements, especially useful during moves and changes (CHURN)



1. 140mm diameter hemisphere
2. Power socket outlet (up to 3)
3. Side exit for power cable only
4. Power socket can be substituted with data/USB
5. Power and data can exit via the base in a fixed situation

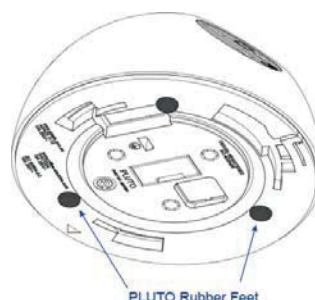
Approvals

Fully compliant with all applicable regulations: BS5733, BS6396, BS1363, IEC 60884, EN 60950, PLUTO can safely be used in any environment

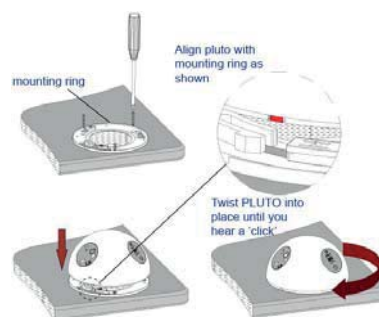
Keeping Your World Connected™ is a trade mark of TeleAdapt, Inc. All trademarks acknowledged. Specifications subject to change without notice.

Fitting Options

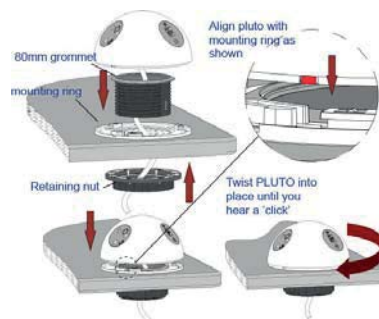
1. **On Desk with rubber feet**
Available with PLUTOs where the power exits out the side. The rubber feet option allows the PLUTO to be placed on a surface without damage.



2. **Optional On Desk with mounting adaptor ring - screw fix**
Screw mounting ring onto surface. Connect Pluto and twist unit, it clicks into place. (Sold separately)



3. **In Desk with mounting adaptor and 80mm grommet fixing**
Place mounting ring over 80mm hole. Place 80mm grommet into mounting ring and screw up retaining nut until firmly in place.



Ihre TeleAdapt Vertretung:

B!Media

web: www.bmedia-ug.de
email: b.media@online.de